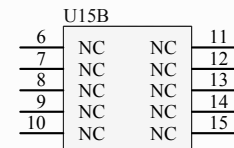
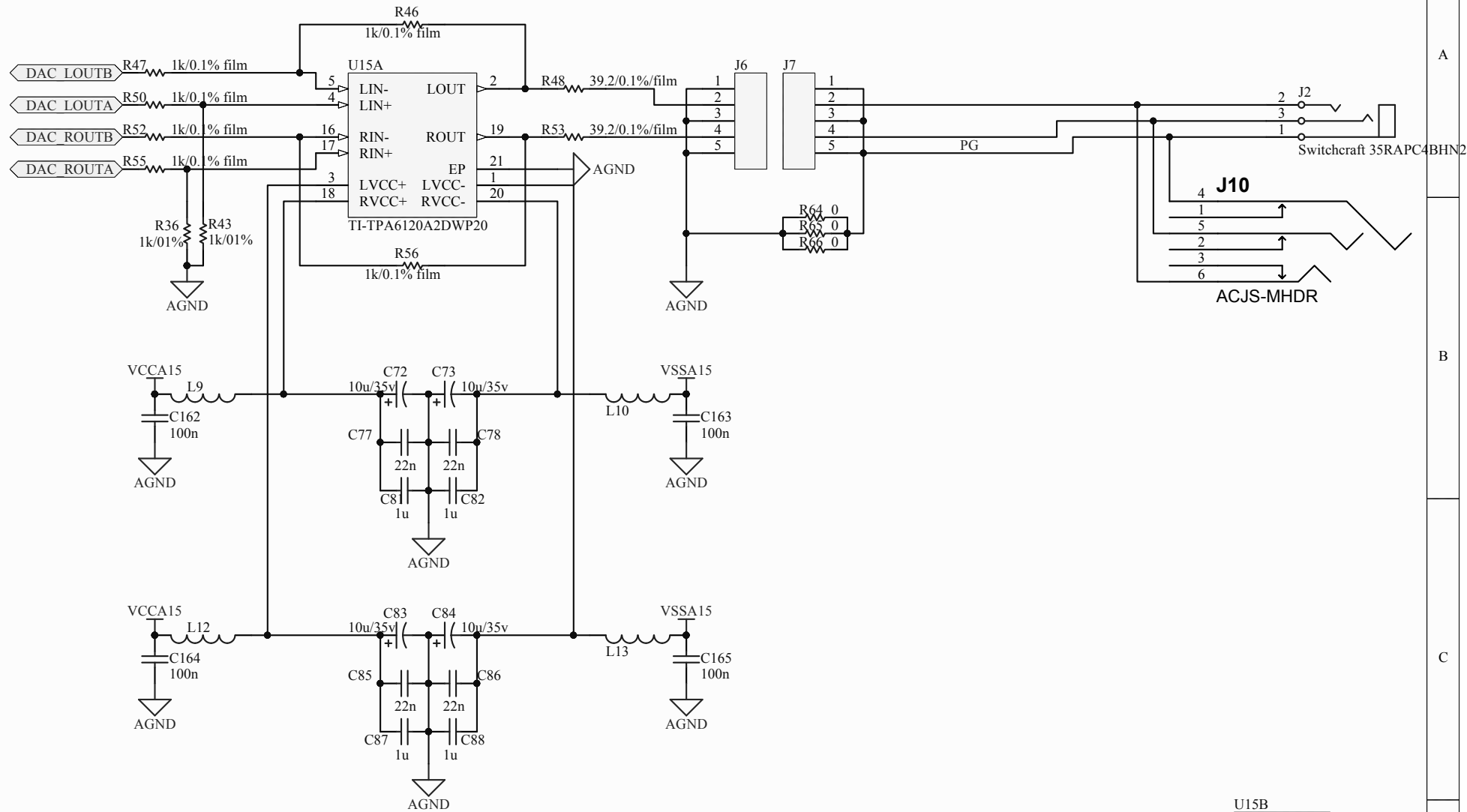


LICENCE: GPL

Review by J.Reisenweber Neo900 EE\_QA

Title		
Digital to Analog Converter		
Size	Number	Revision
A3		A
Date:	4/9/2018	Sheet of
File:	DAC_SchDoc	Drawn By: Tom Wimmenhove



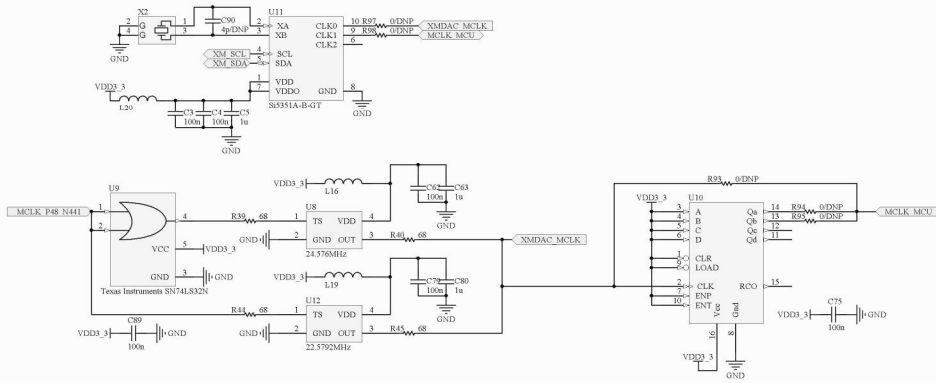
TI-TPA6120A2DWP20-3730X2B50TP

LICENCE: GPL

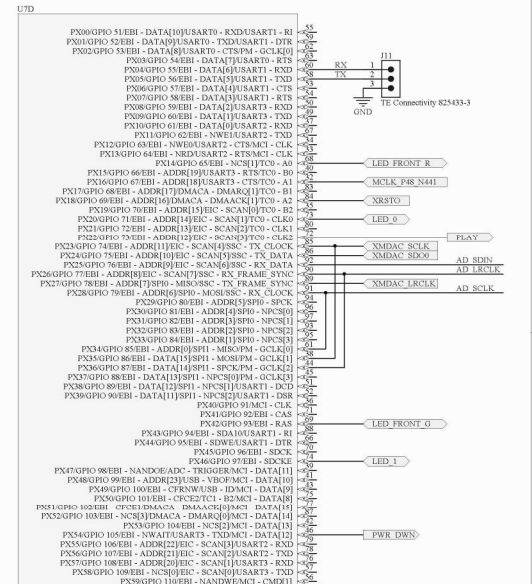
Review by J.Reisenweber Neo900 EE QA

Title			Headphones Amplifier Stage		
Size	Number		Revision		A
Date:	4/9/2018		Sheet of		
File:	HeadPhonesStage.SchDoc		Drawn By:		Tom Wimmenhove

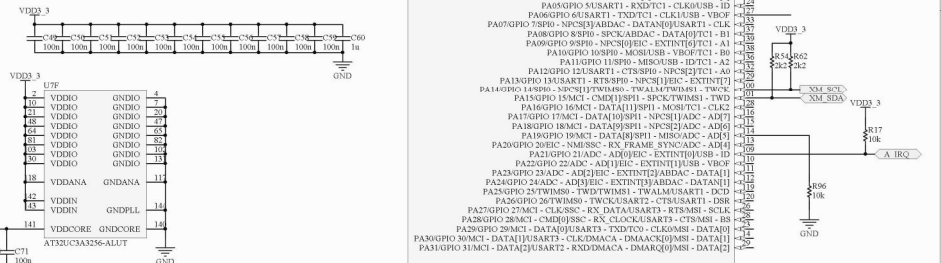
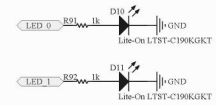
### Clock generation



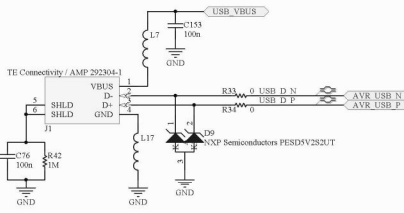
### MCU



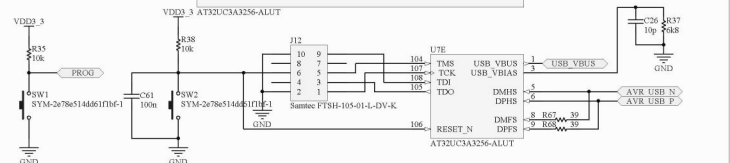
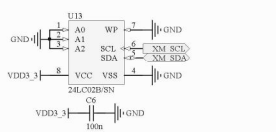
### Status indicators



### USB

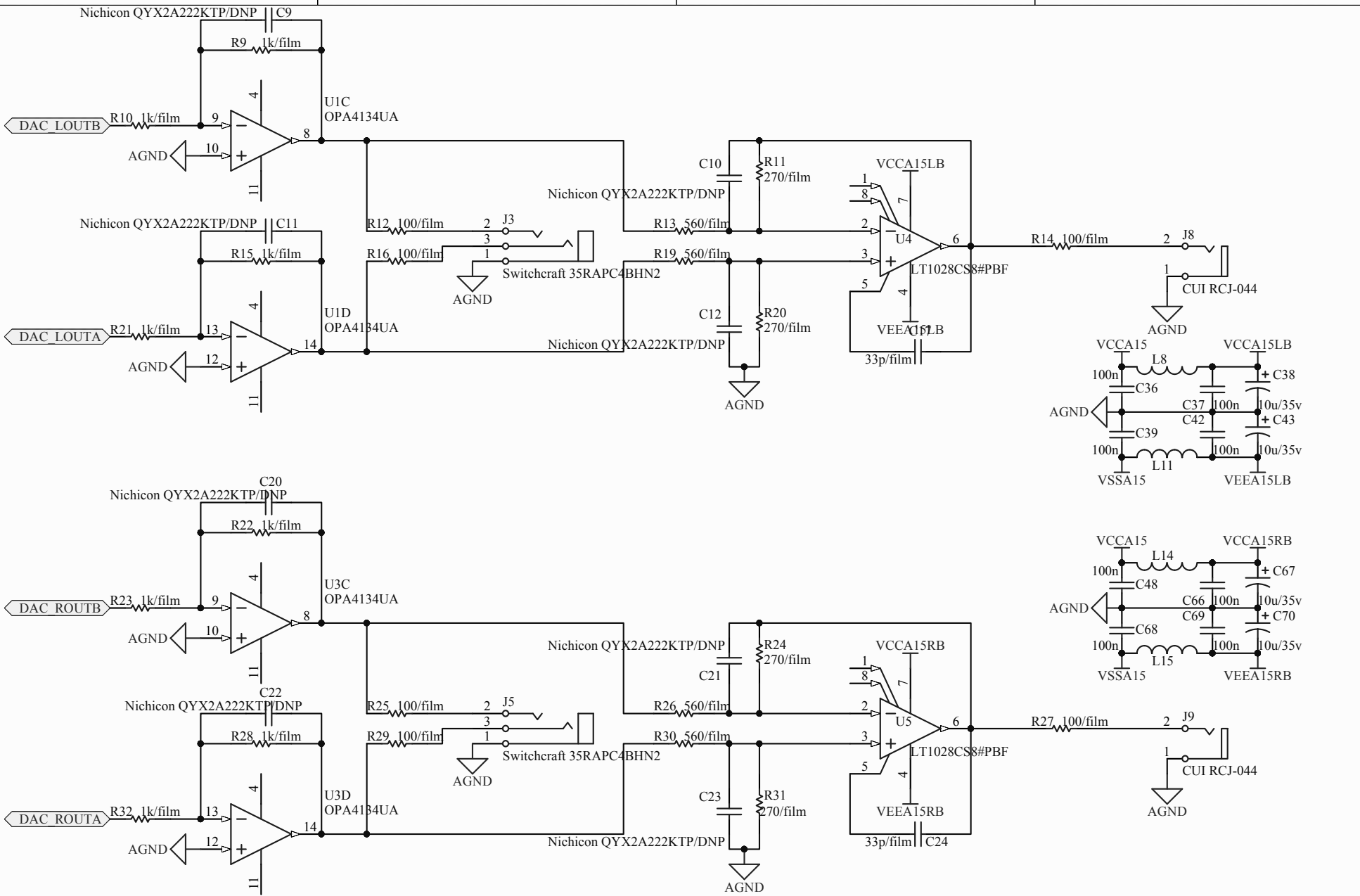


### Non-volatile configuration storage



LICENCE GPL		Title	
Size	Number	USB -> I2S Interface	Revision
A2	1		A
Date:	4/2018		
File:	Face SchDoc		
		Sheet of	
		Drawn By:	

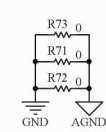
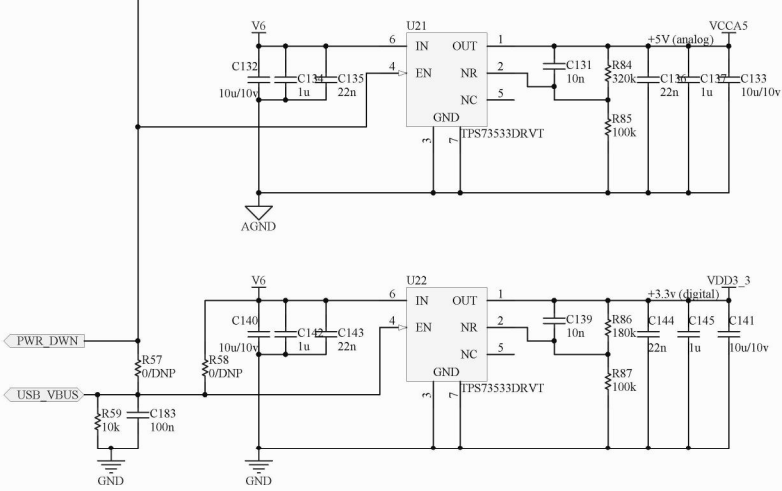
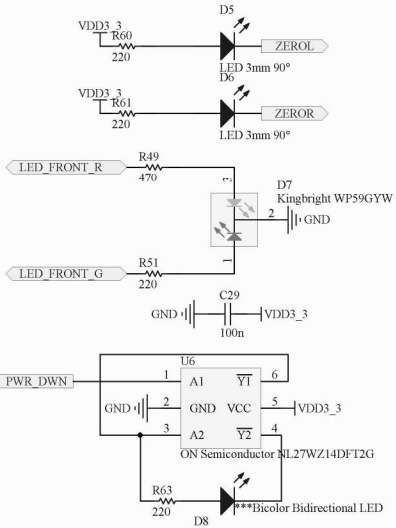
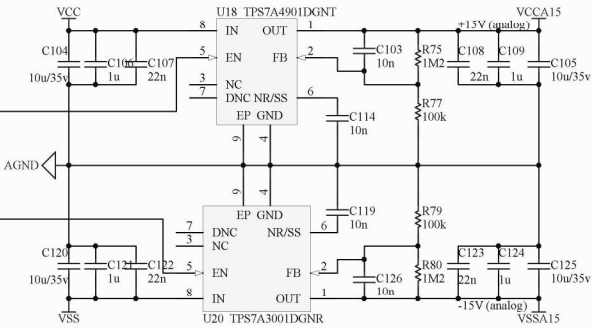
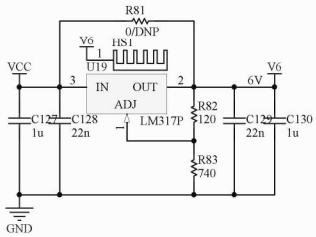
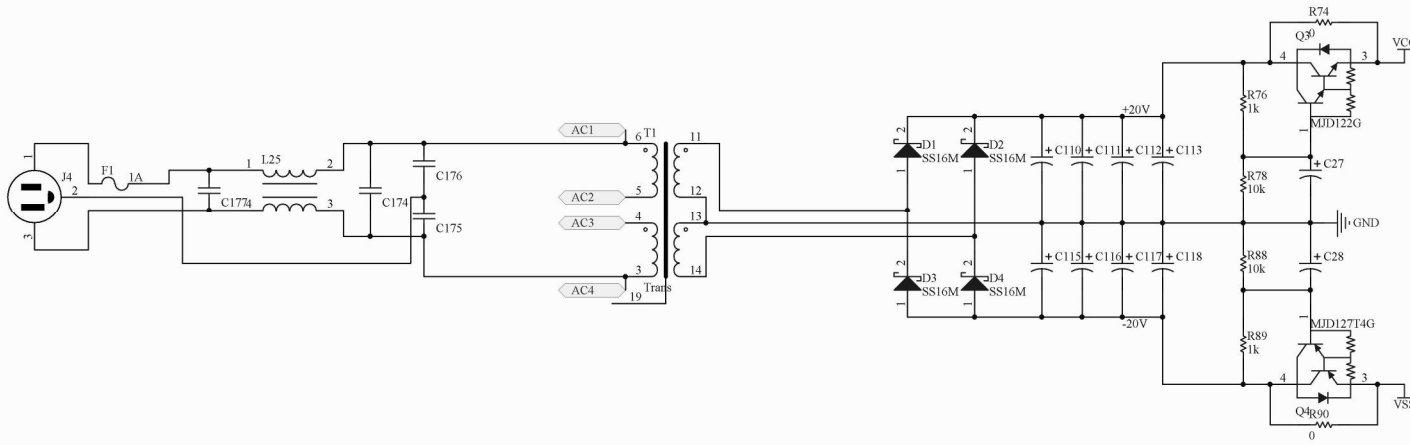
Review by J.Reisenweber Neo900 EE GA



LICENCE: GPL

Review by J.Reisenweber Neo900 EE QA

Title		Line Output Stage	
Size	Number	Revision	
A		A	
Date:	4/9/2018	Sheet of	
File:	LineOutStage.SchDoc	Drawn By: Tom Wimmenhove	



LICENCE: GPL  
 Review by J.Reisenweber Neo900 EE QA

Title Power Supply		
Size A3	Number	Revision A
Date: 4/9/2018	Sheet of	Drawn By: Tom Wimmenhove
File: psu.SchDoc		